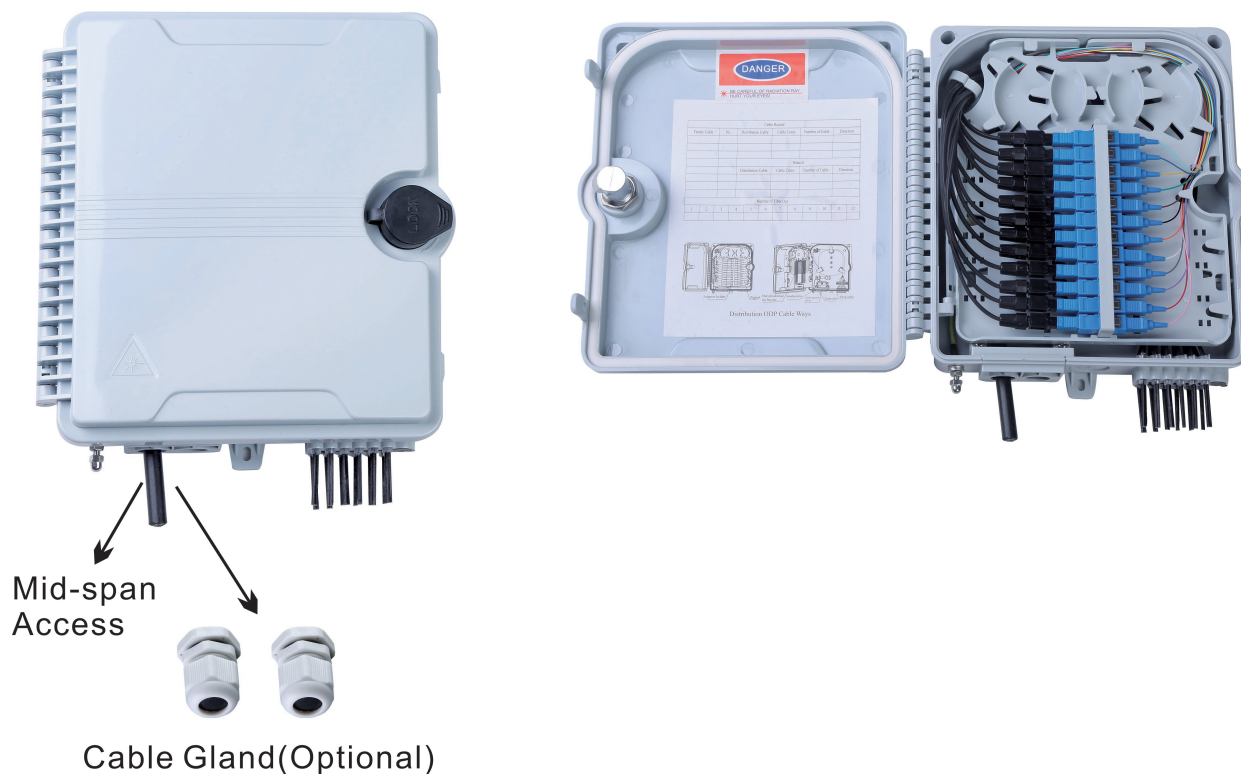


## Fiber Termination Box up to 12C CM-1311-12C



### General Description

This box is used as a termination point for the feeder cable to connect with drop cable in FTTx communication network system. It integrates fiber splicing, splitting, distribution, storage and cable connection in one unit. Meanwhile, it provides solid protection and management for the FTTx network building.

### Features

- ◆ Total enclosed structure, be in nice shape
- ◆ Protects and manages cable effectively
- ◆ Secured with anti-theft locking mechanism
- ◆ Standard size, light weight
- ◆ High quality PC +ABS material
- ◆ Good properties of dust, and moisture proofing
- ◆ Clamping for feeder cable and drop cable, fiber splicing, fixation, storage, distribution...etc all in one
- ◆ Suitable for SC and LC duplex adaptor and pigtail
- ◆ Easy to operate
- ◆ Wall and pole mountable (accessories optional)
- ◆ Suitable for both outdoor and indoor use
- ◆ IP Level : 65

### Application

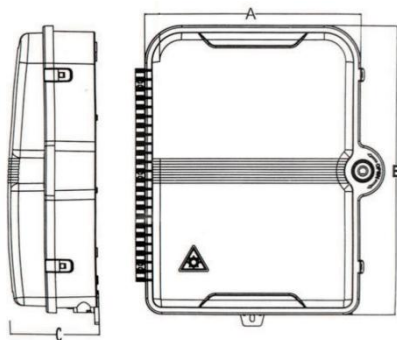
- Telecommunication subscriber loop
- Fiber to the home(FTTH)
- LAN/WAN

## Technical Data

Work Temperature	-40 °C ~+85 °C
Relative Humidity	≤ 85% (+30 °C)
Atmospheric Pressure	70Kpa~106Kpa
Insert Loss	≤ 0.2dB
UPC Return Loss	≥ 50dB
APC Return Loss	≥ 60dB
Insert and Pull out Life	≥ 1000 times
Insulation	The grounding device is insulated with the Termination box, IR ≥1000m Ω/500V (direct current)
Withstand Voltage	Between the grounding device and the box body, the withstand voltage is over 3000V/Min, no breakdown and flashover. U ≥3000V (direct current)

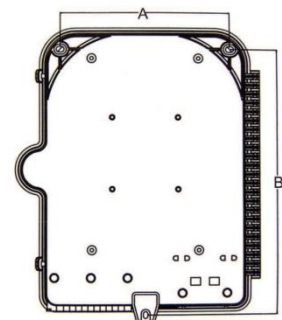
### Dimensions

225mm x 200mm x 65mm (AxBxC)

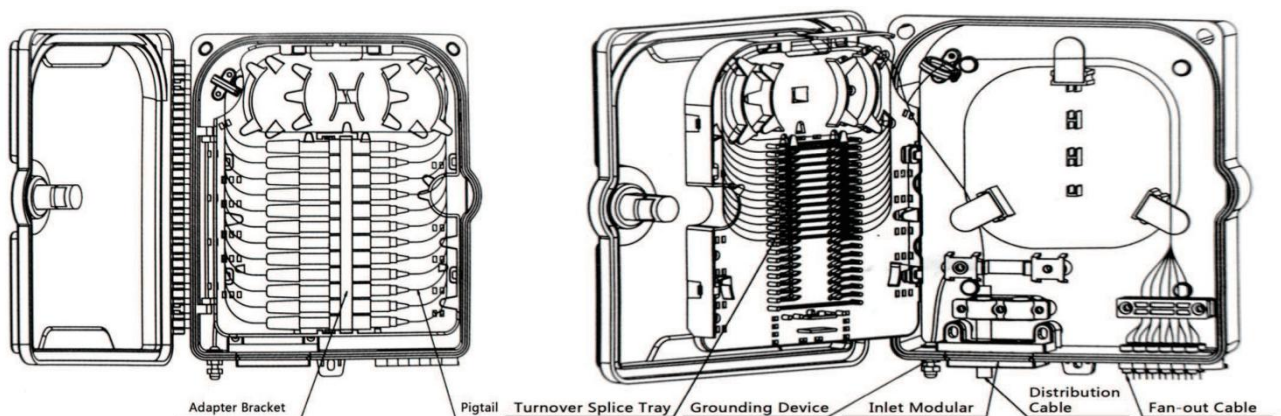


### Installation Dimensions

168mm x 210mm (AxB)



### Wiring Diagram



We Comply the following Tec. Specs.

- 30% ABS + 70% PC
- Flame Retardant
- UV Protection