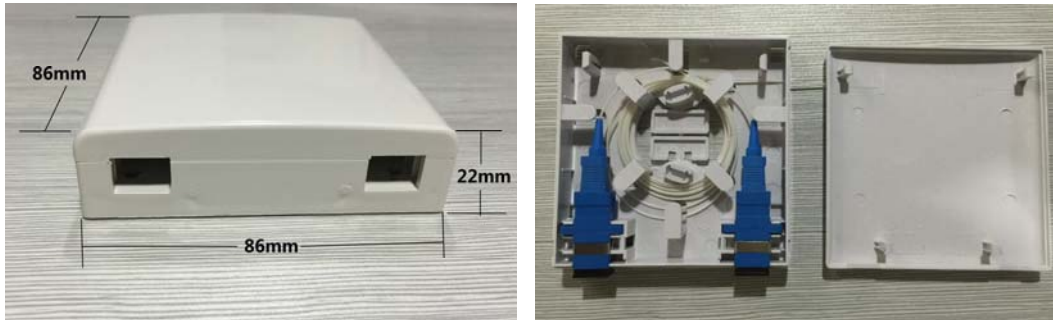


CM-FACPT-TP1

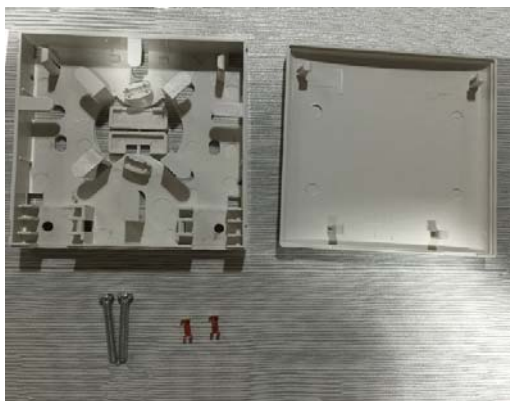
Fiber optical terminal box, 2port

Technical specification

1. Introduce



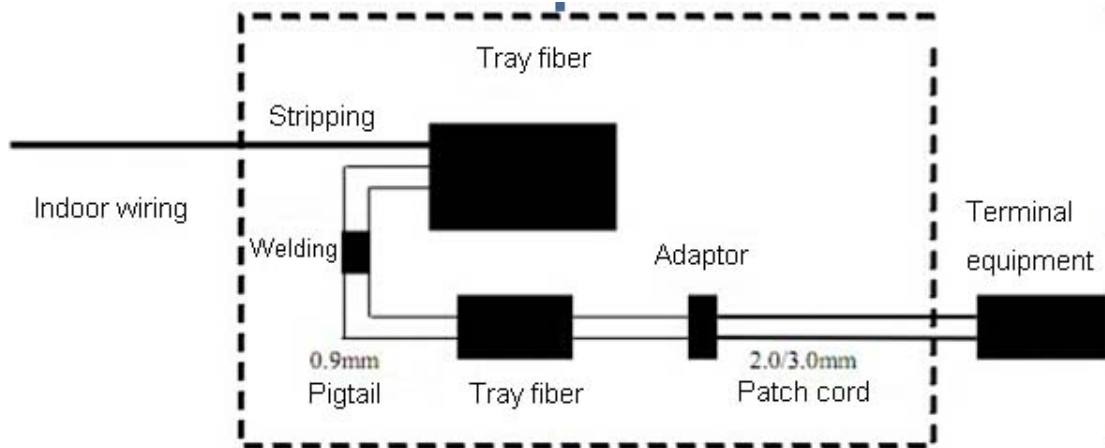
Box shape (86x86x22mm)



Inner parts

2 port Fiber optical terminal box is a wall-mounted terminal box based on FTTH, mainly used for villas, commercial office buildings, cafes, family and other users. The product is suitable for house wiring, including open wire and dark line, and match with adaptor LC and SC, it can hold 2 cores at largest.

2. schematic diagram



3. Specification

Dimensions H×W×D (mm)	86×86×22	Max. capacity(cores)	2
Weight (kg)	0.044	Installation	Wall-mounted
Wiring way	Nail wall open wire, dark line	Suitable cable	Indoor cable

3.1 Configuration Checklist

3.1.1 Main parts

No.	Name	Quantity	Remarks
1	Bottom box	1 pc	Fixed internal structure
2	Box cover	1 pc	

Standard parts: screws, metal button

Optional parts :cable ties、plastic tube、fiber adaptor, etc.

4. Introduce

4.1 The cable terminal box is compact, light weight, the mechanical design of the structure under any operation, replacement, and storage and transport conditions are reliable;

4.2 The product has the function of lead out the pigtail and patch cord, and protect the fiber.

4.3 Protect the cable terminal from the environment' s influence;

4.4 Provide the space for the cable terminal and storage the remaining fiber;

4.5 It has the wiring function.

5. Technical requirement

5.1 Description

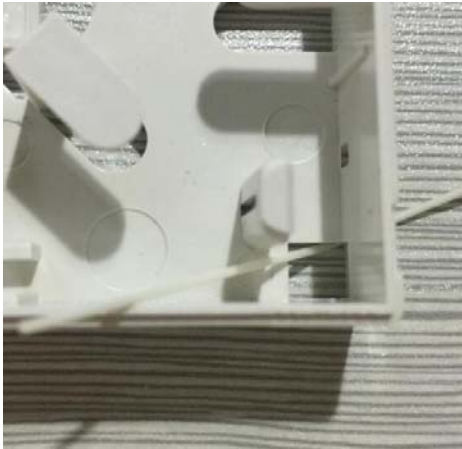
The terminal box is made up of bottom box, cover and tray fiber. Use high strength material of ABS, has high resistance ability.

5.2 Dimension

Product Dimensions: 86x86x22mm

5.3 Cable into port

The port which lead in the cable is as shown in two ways:



The port for dark line

The port for open wire

Cable fixed: Using cable tie.

5.4 Fiber disc

5.4. This Tray is suitable for 0.9mm fiber sleeve or loose tube fiber entering the fiber Tray welding, welding core number up to 2 cores.

5.5 Adapter Compatibility

This product is compatible with the use of LC, SC, adapter.

5.6 Temperature

Storage temperature : -40C to +75C

Operating Temperature : -40C to +85C