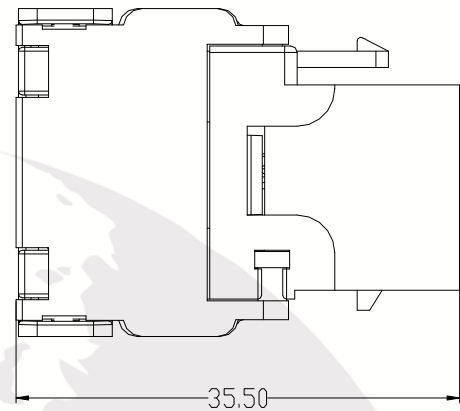
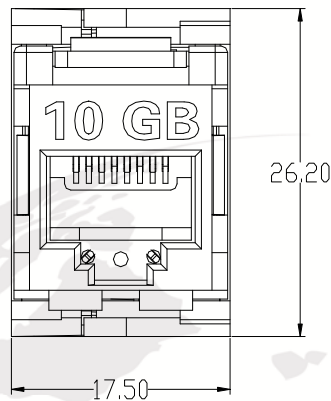


CAT6A KEYSTONE JACK

CNSFP4140



Specifications

- Size: 17.5×26.2×35.5mm
- Color: Housing White, Cover black
- Criteria: TIA/EIA T568-A/B
- CAT6A Unshielded Keystone Jack

Mechanical Performance

Material:

Shell: ABS

Gold pin:

Thickness of gold coated: 3 u", 5 u",
10 u", 15 u", 30 u", 50 u"

Contactors: Sn6.5-0.1(Y)

IDC: Copper conductor 0.4~0.585mm,
max. connections>200 times

Sockets: max. insertions>750 times

Environment Characteristic

- Temperature: -20°C ~ +65°C
- Relative humidity: max 95% at 20°C

Electrical Performance

Contact Resistance (excluding body resistance) ≤ 10mΩ (under normal air condition)

Insulation Resistance: ≥ 1000MΩ (under normal air condition)

Dielectric intensity: DC 1000V, no spark over and fly arc in 1 min.

HONG KONG (HK) Limited

Unit 1303, 13/F, Beverly House, 93 -107 Lockhart Road, Wanchai, Hong Kong.
香港灣仔駱克道93107-號利臨大廈13樓1303室

Tel. : (852) 28639635 Fax : (852) 21296534 Mob.: (86) 18218762001

EGYPT

15 Sakalia St., From Makram Abeed, 3rd Floor, Nasr City, Cairo, Egypt.

Tel. : +202 2671 8862 / 3 Fax : +202 2275 2976 Mob.: +2012 2213 3810